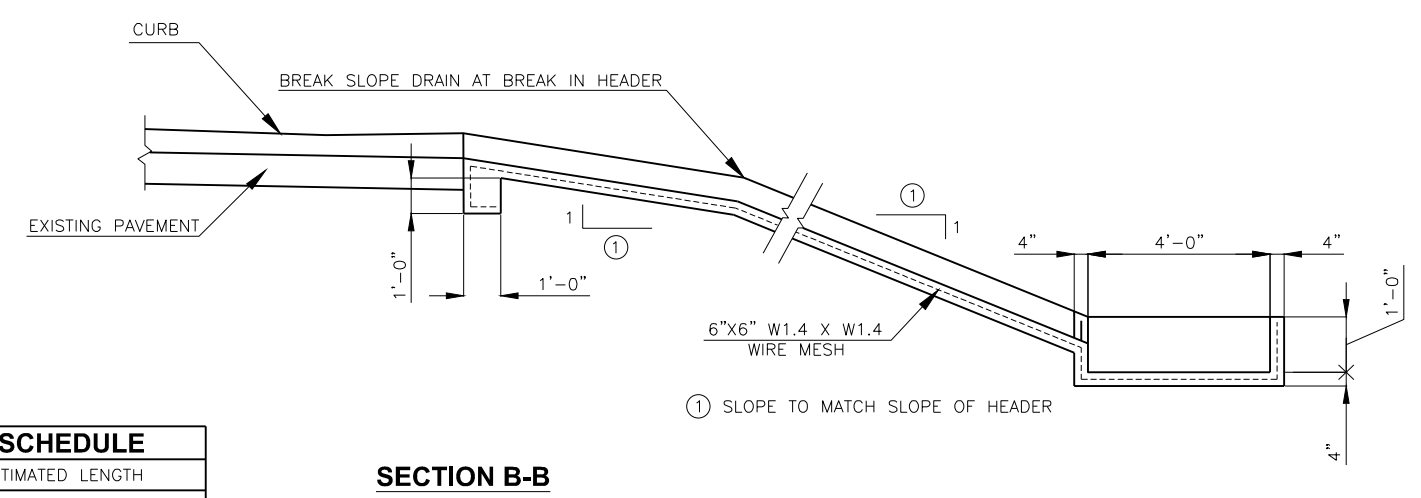
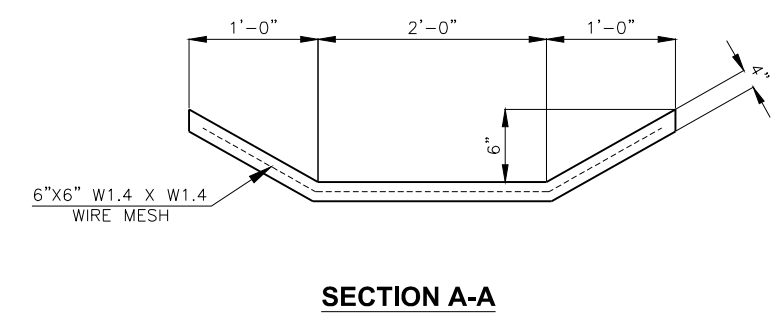
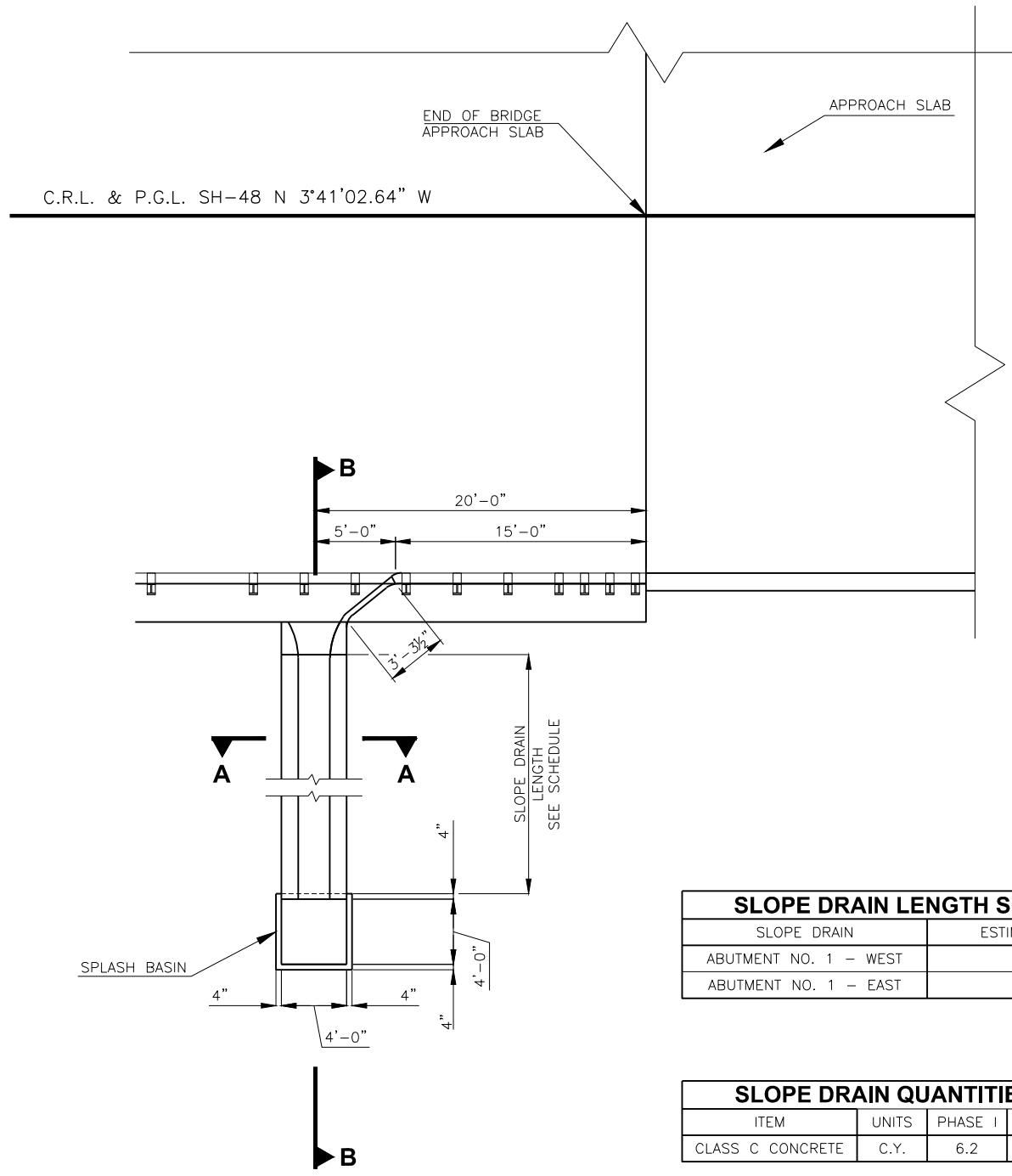


DESCRIPTION	REVISIONS	DATE



**SLOPE DRAIN LENGTH SCHEDULE**

SLOPE DRAIN	ESTIMATED LENGTH
ABUTMENT NO. 1 - WEST	110'-0"
ABUTMENT NO. 1 - EAST	90'-0"

**SLOPE DRAIN QUANTITIES**

ITEM	UNITS	PHASE I	PHASE II
CLASS C CONCRETE	C.Y.	6.2	5.2

NOTE:  
SLOPE DRAINS AND SPLASH BASINS SHALL BE CONSTRUCTED USING CLASS C CONCRETE AS SHOWN ON THIS SHEET. LENGTH OF SLOPE DRAIN SHOWN IN THE PLANS IS ESTIMATED. ACTUAL LENGTH TO BE DETERMINED IN THE FIELD BY THE ENGINEER. ALL COSTS OF THE SLOPE DRAINS AND SPLASH BASINS INCLUDING REINFORCEMENT SHALL BE INCLUDED IN THE BRIDGE PAY ITEM FOR "CLASS C CONCRETE".

DESIGN	M.R.S.	SH-48 OVER CIMARRON RIVER	CREEK COUNTY
DRAWN	J.F.R.	<b>SLOPE DRAIN DETAILS</b>  JOB PIECE NO. <u>27925(04)</u> SHEET NO. <u>60</u>	
CHECKED	B.J.K.		
APPROV.	B.J.K.		
SQUAD	CEC		